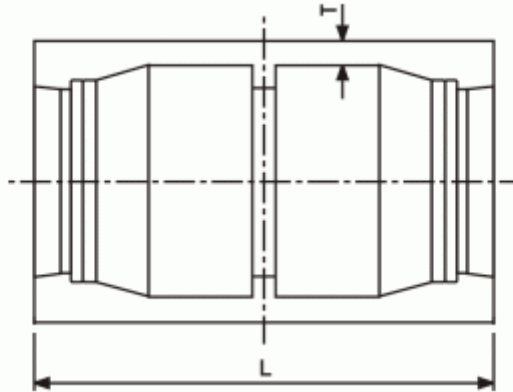




Type U Collar



Unit: mm

Nominal size	Thickness	Length	Weight (kg)
D	T	L	
700	19	590	254
800	21	590	312
900	22	590	361
1000	23	600	419
1100	25	600	491
1200	26	600	551
1350	28	620	675
1500	30	630	803
1600	31	650	934
1650	32	650	988
1800	34	650	1130
2000	37	660	1370
2100	38	670	1480
2200	39	680	1620
2400	42	700	1910
2600	43	850	2700